

# Sealable Drains



NOV Fiber Glass Systems introduces the next generation of fiberglass sealable floor drain incorporating a 12" inlet diameter. It is the perfect answer to your need for large heavy duty floor and equipment drains that are subject to corrosive fluids and heavy traffic loading. Our 6" and 12" Sealable Drains are the most economical alternative available to stainless steel floor and equipment drains.

- The body of the drain is manufactured with high strength compression molded fiberglass. Standard drain bodies are made with highly corrosion resistant epoxy Novolac-based vinyl ester resin that provides corrosion resistance similar to that of expensive exotic metals. These are available in Z-CORE®, epoxy and other vinyl ester resin systems upon request.
- Each drain is provided with a Viton plug to prevent the entry of unwanted fluids into the waste system.
- Drains are provided with 316 stainless steel strainer basket, cover and hardware allowing high wheel loading ratings and excellent corrosion resistance.
- Available with either a perforated stainless steel drain grate or solid stainless steel cover providing versatility in equipment drain, clean out and floor drain applications. O-ring sealing of the stainless steel cover provides a water tight seal for clean out and equipment drain applications.

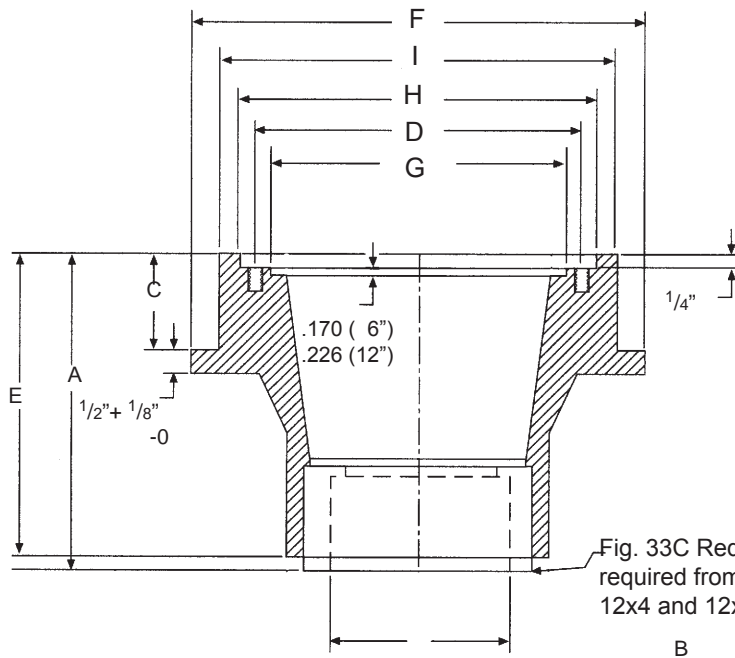
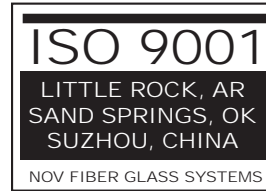
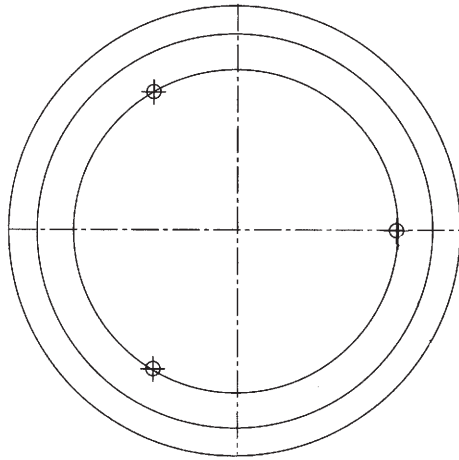
Description	Figure	Viton Plug	316 Stainless Steel		
			1/4" Solid Cover Plate W/O-Ring Seal	1/4" Drilled Drain Grate	16 Gauge Strainer Basket
Clean Out	203CO	✓	✓		
Floor Drain	203FD	✓		✓	✓
Equipment Drain	203ED	✓	✓		✓

[www.fgspipe.com](http://www.fgspipe.com)

2700 West 65th Street  
Little Rock, Arkansas 72209  
Phone: 1 (501) 618-2256

25 S. Main Street  
Sand Springs, Oklahoma 74063  
1 (918) 245-6651

**NOV Fiber Glass Systems**



National Oilwell Varco has produced this brochure for general information only, and it is not intended for design purposes. Although every effort has been made to maintain the accuracy and reliability of its contents, National Oilwell Varco in no way assumes responsibility for liability for any loss, damage or injury resulting from the use of information and data herein nor is any warranty expressed or implied. Always cross-reference the bulletin date with the most current version listed at the web site noted in this literature.

Fig. 33C Reducer Insert required from 6x2, 6x3, 12x4 and 12x6 sizes.\*

NOTE: 2"-6" FNPT outlet available on request.

**Sealable Drain Dimensional Data**

Size	A ± 1/8"	B	C	D	E	F ± 1/8"	G	H	I
In	In	In	In	In	In	In	In	In	In
6x2	6 1/4	2 3/8	2	6 3/8	6	8 7/8	5 3/4	7	7 3/4
6x3	6 1/4	3 1/2	2	6 3/8	6	8 7/8	5 3/4	7	7 3/4
6x4	6	4 1/2	2	6 3/8	6	8 7/8	5 3/4	7	7 3/4
12x4	8 11/16	4 1/2	1 9/16	13 3/8	8	15 1/2	12 3/4	14	14 1/2
12x6	8 11/16	6 5/8	1 9/16	13 3/8	8	15 1/2	12 3/4	14	14 1/2
12x8	8	8 5/8	1 9/16	13 3/8	8	15 1/2	12 3/4	14	14 1/2

[www.fgspipe.com](http://www.fgspipe.com)

2700 West 65th Street  
 Little Rock, Arkansas 72209  
 Phone: 1 (501) 618-2256

25 S. Main Street  
 Sand Springs, Oklahoma 74063  
 1 (918) 245-6651

**NOV Fiber Glass Systems**

©2009, NATIONAL OILWELL VARCO  
 ®Trademark of NATIONAL OILWELL VARCO  
 A2900 - February 2009